



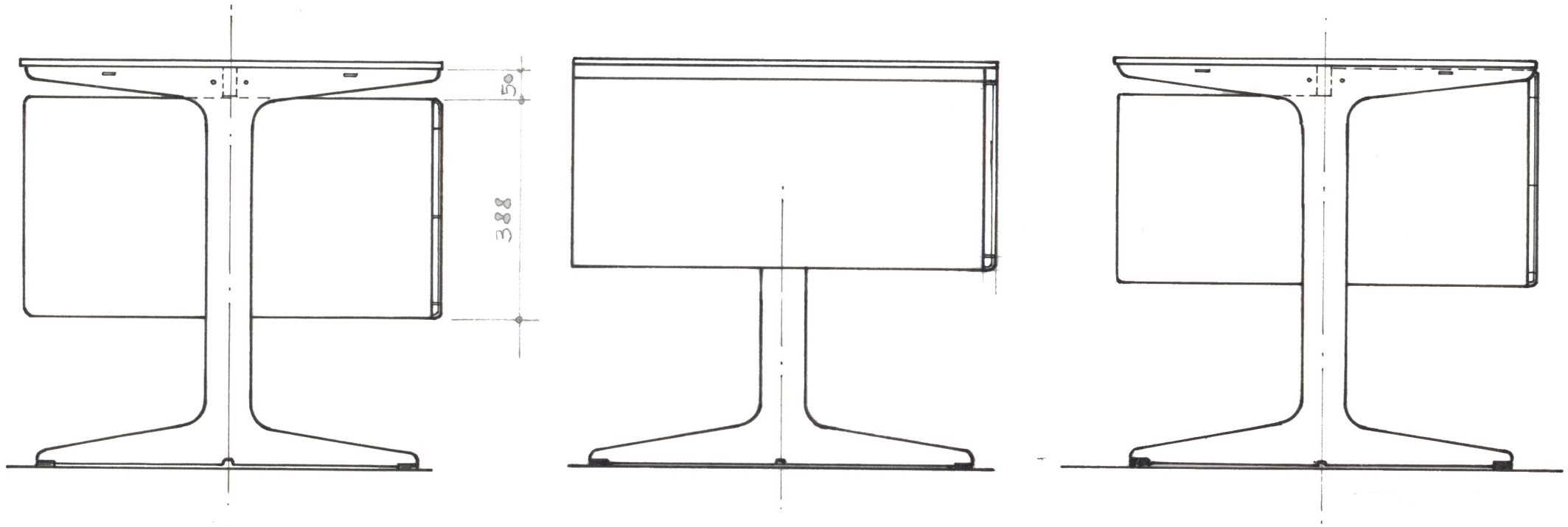
## Ahrend Mehes

Designer: Friso Kramer

### The timeless design icon

Mehes. An eye-catching collection of modular furniture that seamlessly fits any space. The transparent design complements a range of interiors and architectural styles. Mehes stands for quality, in every sense of the word. Quality in look and feel, in creating an ambience, and in utility.

# *Design is a tradition, not a trend*



## Introducing Mehes

Mehes was designed by Friso Kramer in 1972 and is an acronym for Mobility, Efficiency, Humanisation, Environment and Standardisation. The groundbreaking design was attuned to how workplaces were changing at the time; it answered the growing demand for open-plan offices. Mehes was the first design in the Netherlands to consist of separate tops and legs that could be combined in any number of ways to create 'islands' in the workplace. This makes Friso Kramer one of the pioneers of modular design.

## Timeless, classic design

Kramer's design philosophy involves a process of formal reduction: transparency and the omission of all superfluous elements characterise his designs. What sets Mehes apart is the thin 12mm 'floating' worktop resting on a slender base with I-shaped supports, connected by an aluminium crossbar with a worktop support. Mehes is proof that good design is a tradition rather than a trend. Over 40 years after it was first designed, Mehes remains a true design icon with broad appeal.





1984, Ahrend furnishes  
the main office of the  
HongKong Shanghai  
Banking Corporation  
(HSBC) with Mehes



*"A minimum number of parts are employed to achieve  
maximum effect. Understated and opulent at the same time."*

*Friso Kramer*

**More information:**

[www.ahrend.com/  
Mehes](http://www.ahrend.com/Mehes)



## Ahrend. Create your own Office Lifestyle



Ahrend. A Cradle to Cradle company  
Creating safe products and healthy environments

Ahrend is the most sustainable company in its sector in Europe and has set itself the goal of closing the full production cycle by 2020. Ahrend produces climate-neutral products, using the principles of Cradle to Cradle and Eco-design, with the efficient use and reuse of materials.

  
[www.ahrend.com](http://www.ahrend.com)