

Arkus C

A variation on a successful theme. The C leg adds a touch of utility to the Arkus desk.



Versatile and functional, the Arkus solution combines simplicity, strength and an elegant aesthetic for today's interiors. When launched it was revolutionary being one of the early beam-system desks. Configuration flexibility has kept it at the top of its class – it has an elegant practicality that does not age. It may have been launched last century, but it is a 21st century desk.

Certificates

EN 527-2
ISO 9001
ISO 14001
OHSAS 18001
CFCS 2002
FSC STD 40-004
Furniture Industry
Sustainability Programme -
Full Member
EPD



Arkus desks are so versatile that they can be configured to serve as office desks, conference tables, or call centre workstations. Elegant enough for senior managers with private offices, Arkus is also ideal for open space offices.





6



Lehman Brothers – Arkus C conference tables and 200 Horizont workstations were supplied to this major American bank



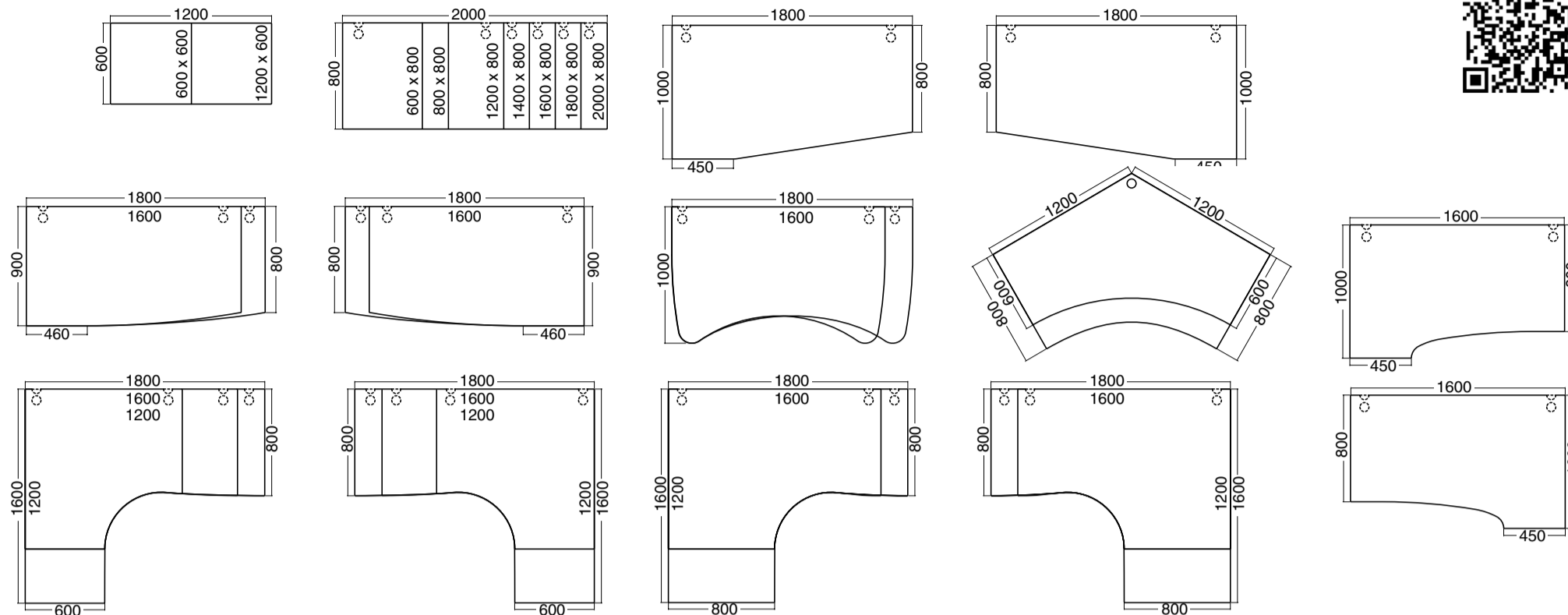
7

S



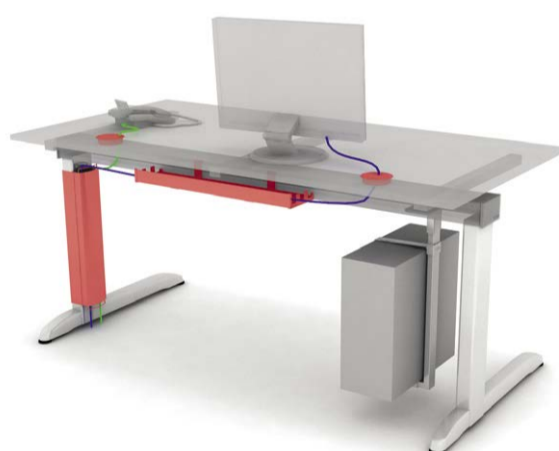
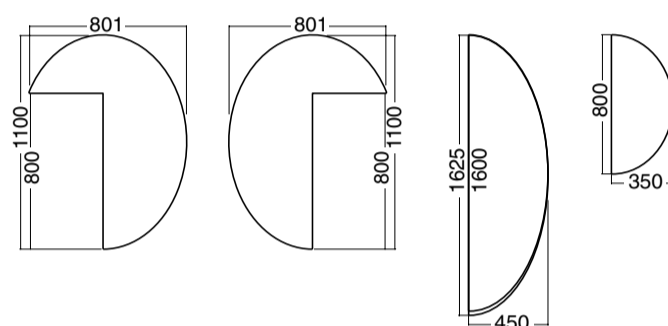
Design: Hans Verboom

Worksurfaces

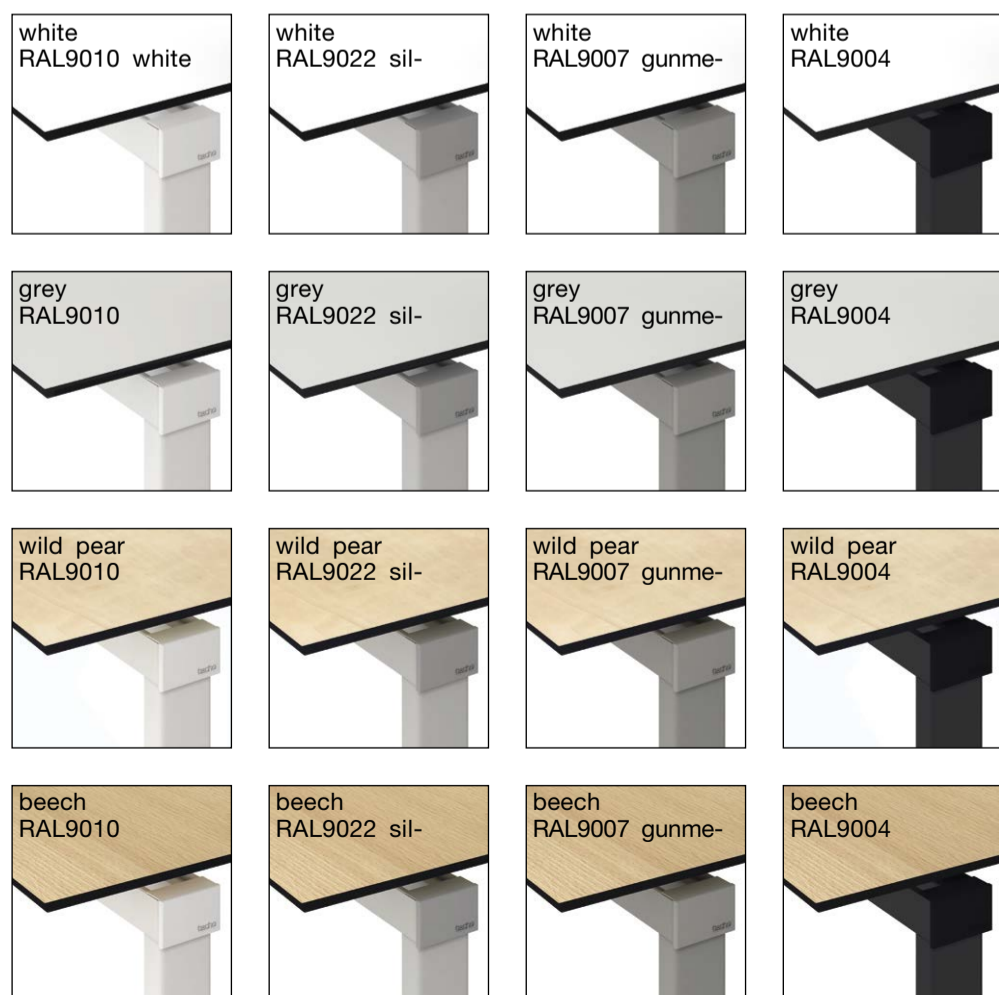


Arkus C

Worksurface extensions



EKOTECH worksurface and frame combinations



MFC worksurface and frame combinations

