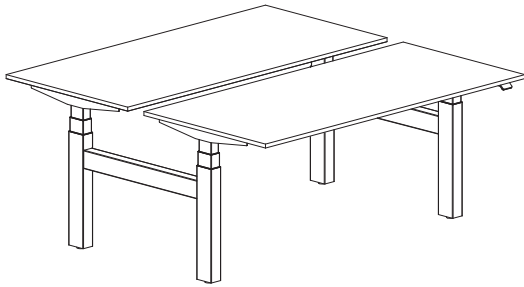


# Alfa Up Assembly Instructions

---

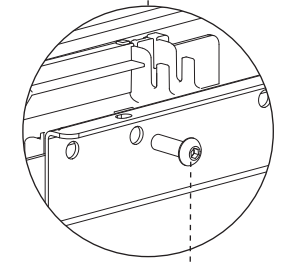
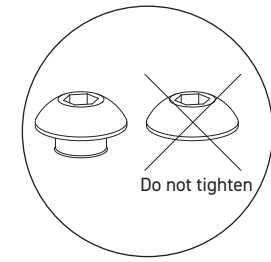
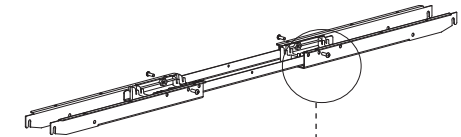
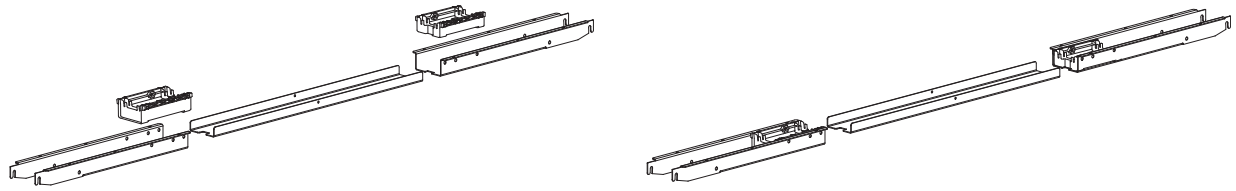
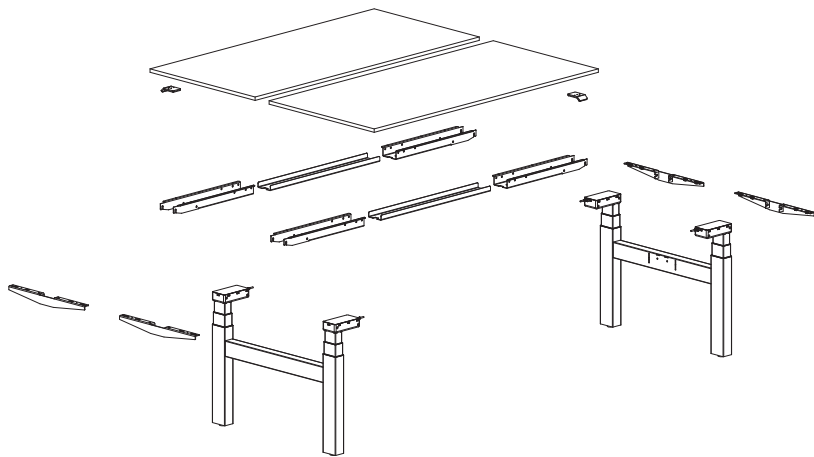
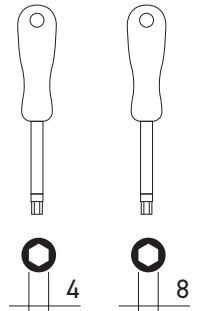


# Alfa Up Assembly Instructions

Duo

1x 510291699

1	2	3	4	5	6	7	8	9	10	11
M8x20 12x	M8x20 8x	4x16 2x	4.5x24 24x	M8x44 4x	M8 4x	24x	M8 4x	DIN 7500CT M6x16 PH TORX 1x	4.8x16 28x	DIN 7985 M6x16 8x



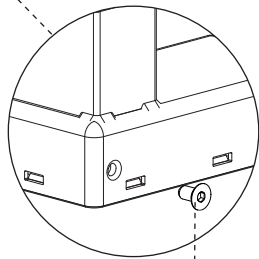
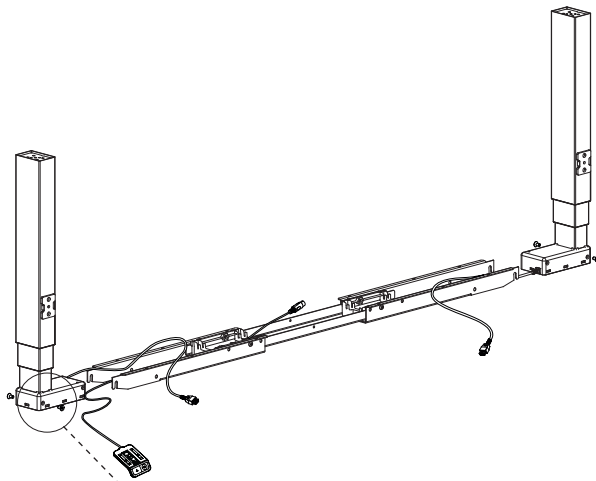
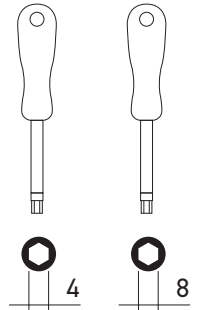
# Alfa Up Assembly Instructions



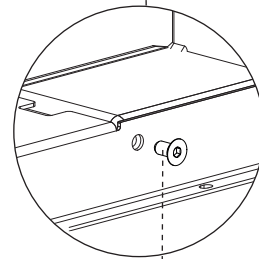
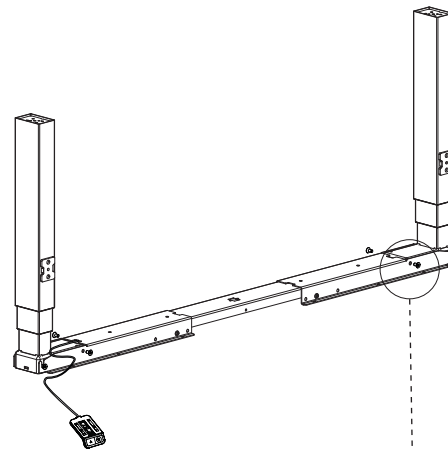
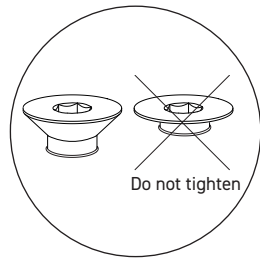
Duo

1x 510291699

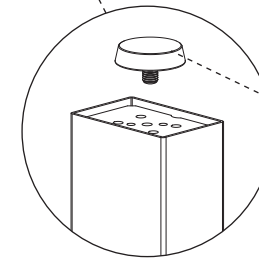
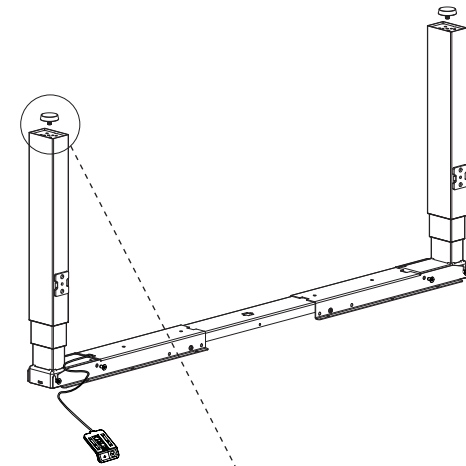
1	2	3	4	5	6	7	8	9	10	11
M8x20 12x	M8x20 8x	4x16 2x	4.5x24 24x	M8x44 4x	M8 4x	24x	M8 4x	DIN 7500T M6x16 PH TORX 1x	4.8x16 28x	DIN7985 M6x16 8x



2



2



8

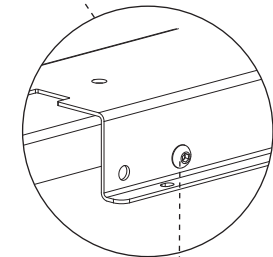
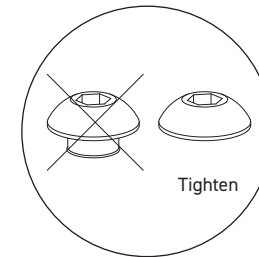
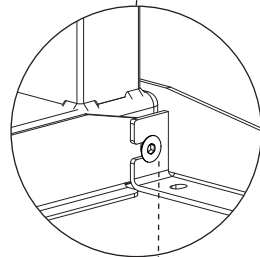
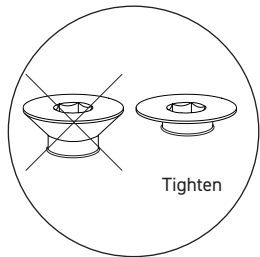
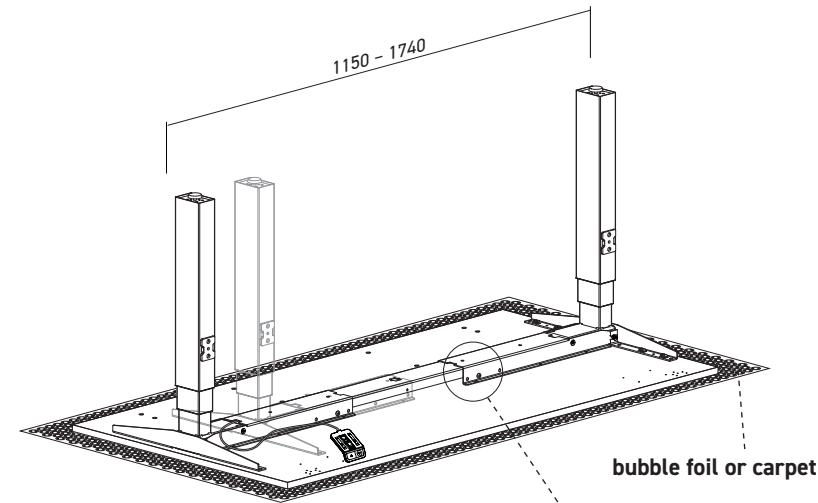
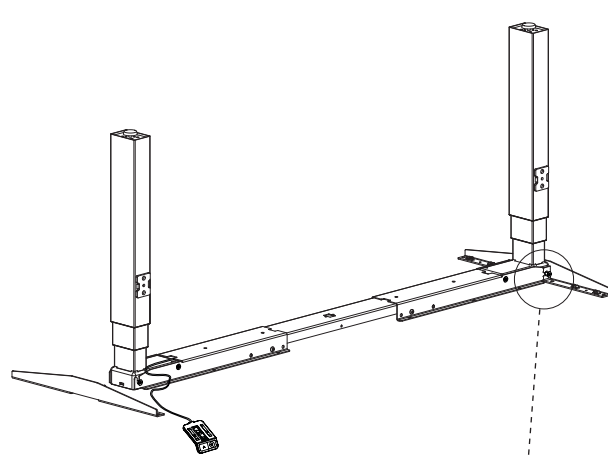
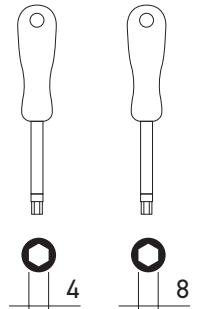
# Alfa Up Assembly Instructions



Duo

1x 510291699

1	2	3	4	5	6	7	8	9	10	11
M8x20 12x	M8x20 8x	4x16 2x	4.5x24 24x	M8x44 4x	M8 4x	24x	M8 4x	DIN 7500CT M6x16 PH TORX 1x	4.8x16 28x	DIN7985 M6x16 8x



2

1

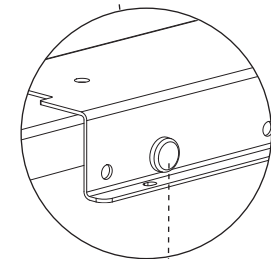
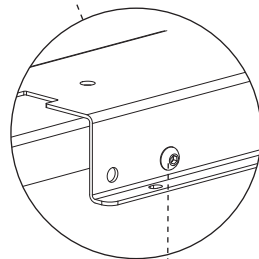
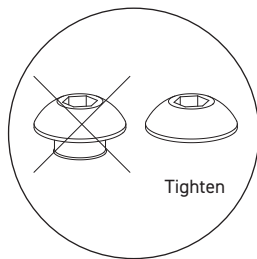
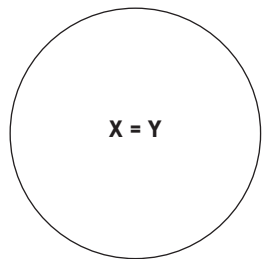
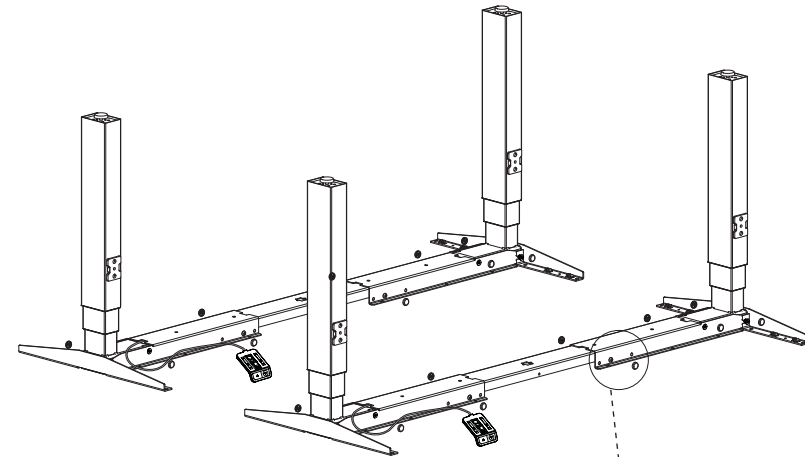
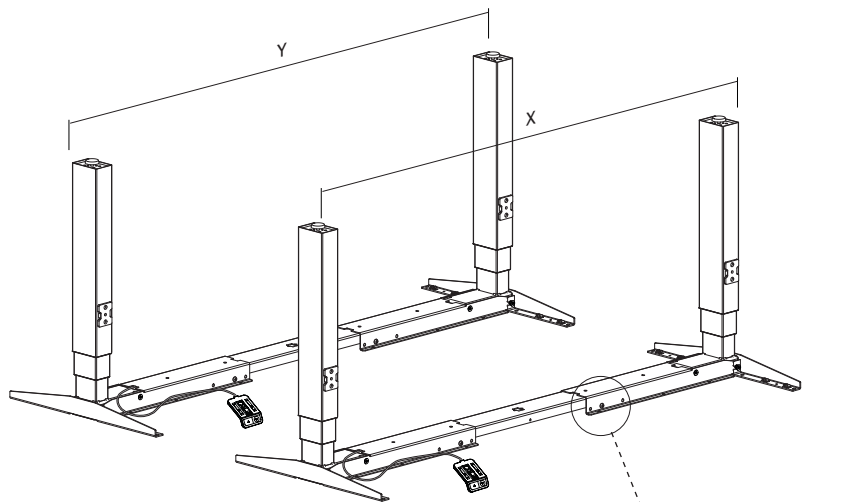
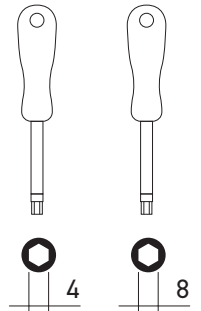
# Alfa Up Assembly Instructions



Duo

1x 510291699

1	2	3	4	5	6	7	8	9	10	11
M8x20 12x	M8x20 8x	4x16 2x	4.5x24 24x	M8x44 4x	M8 4x	24x	M8 4x	DIN 7500CT M6x16 PH TORX 1x	4.8x16 28x	DIN 7985 M6x16 8x



1

7

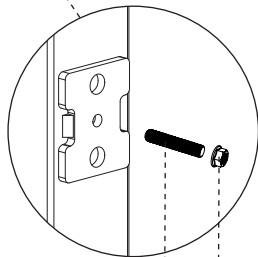
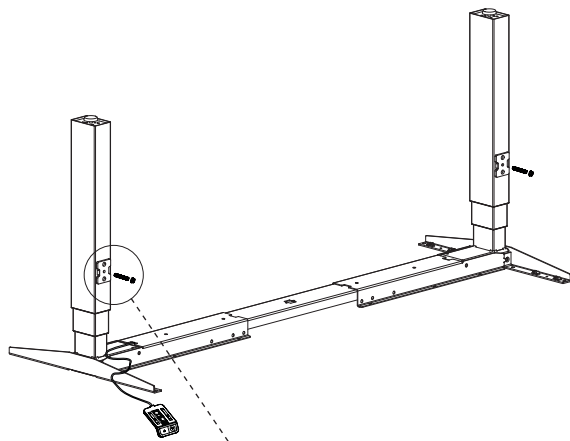
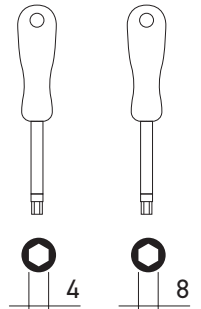
# Alfa Up Assembly Instructions



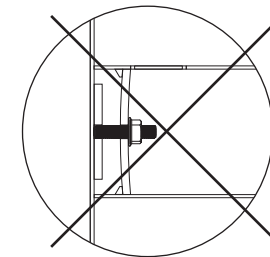
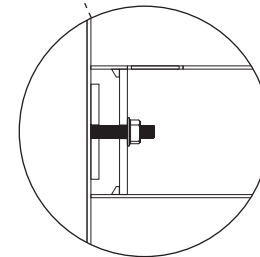
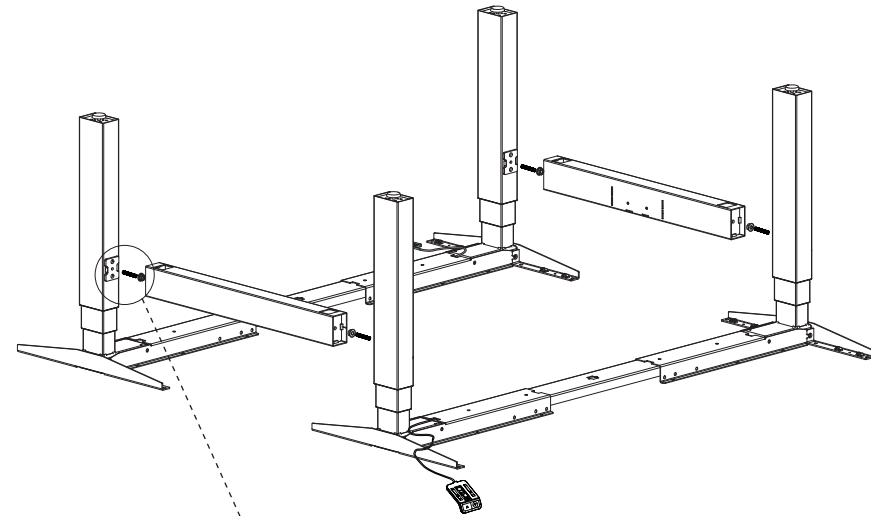
Duo

1x 510291699

1	2	3	4	5	6	7	8	9	10	11
M8x20 12x	M8x20 8x	4x16 2x	4.5x24 24x	M8x44 4x	M8 4x	24x	M8 4x	DIN 7500CT M6x16 PH TORX 1x	4.8x16 28x	DIN7985 M6x16 8x



5 6



Max Torque 5 Nm

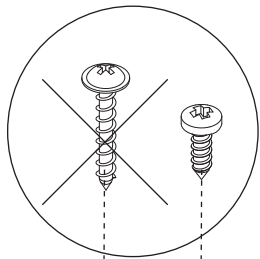
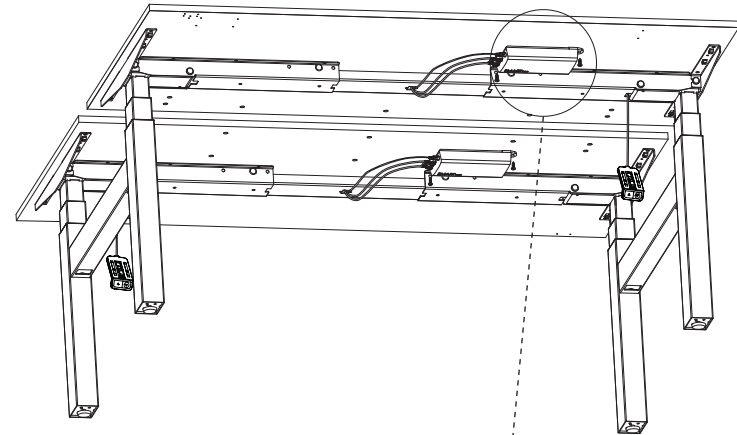
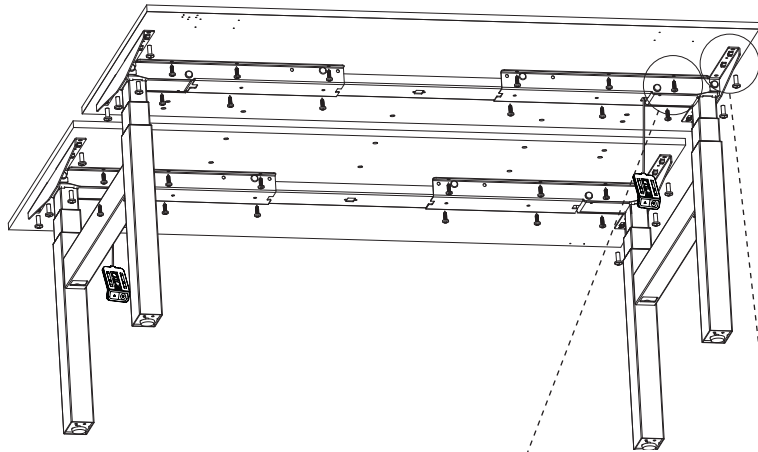
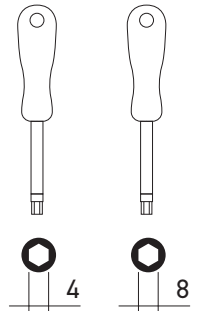
# Alfa Up Assembly Instructions



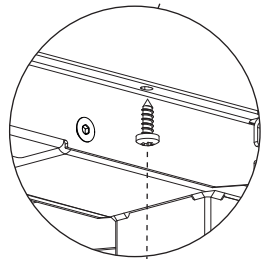
Duo

1x 510291699

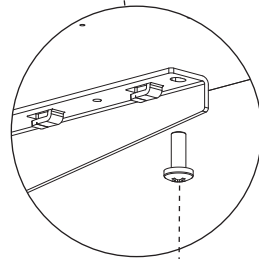
1	2	3	4	5	6	7	8	9	10	11
M8x20 12x	M8x20 8x	4x16 2x	4.5x24 24x	M8x44 4x	M8 4x	24x	M8 4x	DIN 7500T M6x16 PH TORX 1x	4.8x16 28x	DIN 7985 M6x16 8x



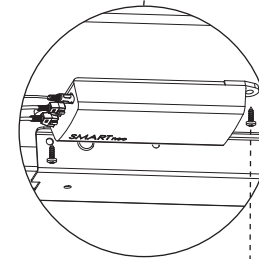
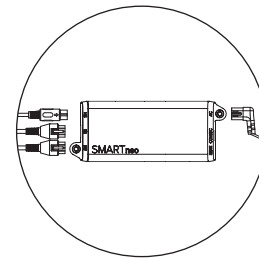
4 10



10



11



10

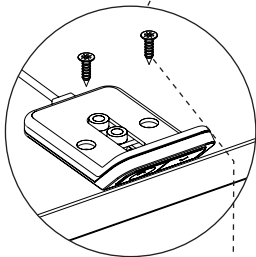
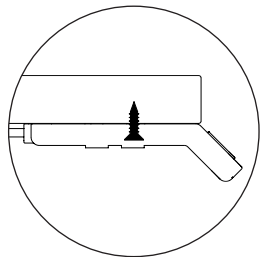
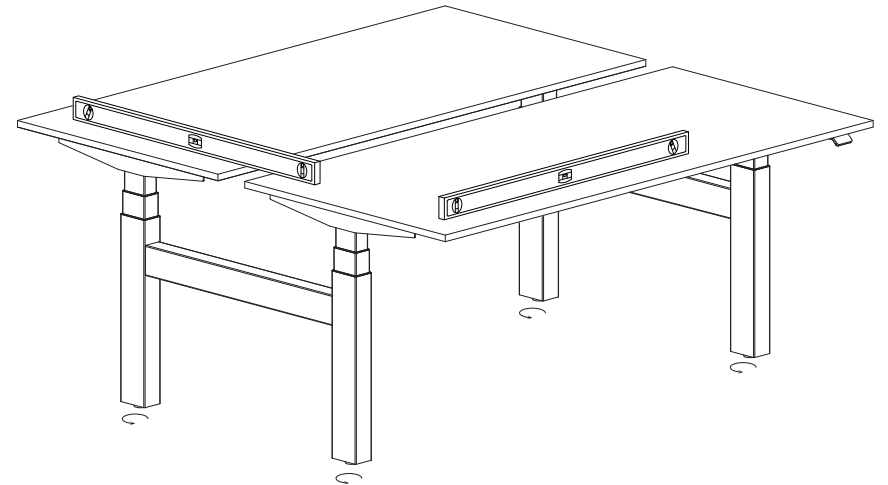
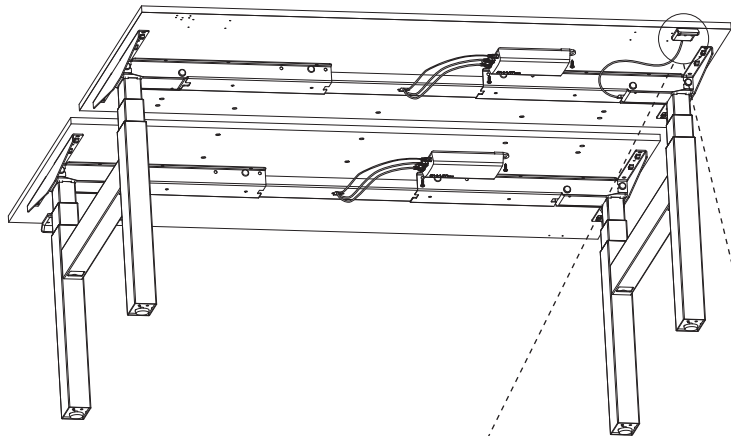
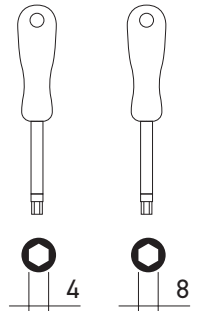
# Alfa Up Assembly Instructions



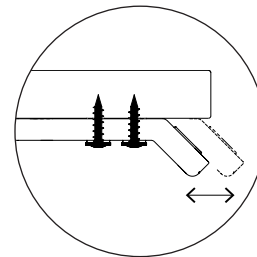
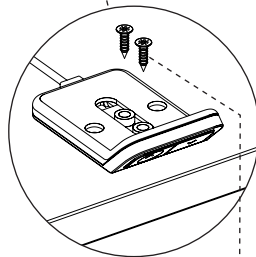
Duo

1x 510291699

1	2	3	4	5	6	7	8	9	10	11
M8x20 12x	M8x20 8x	4x16 2x	4.5x24 24x	M8x44 4x	M8 4x	24x	M8 4x	DIN 7500T M6x16 PH TORX 1x	4.8x16 28x	DIN 7985 M6x16 8x



or



4

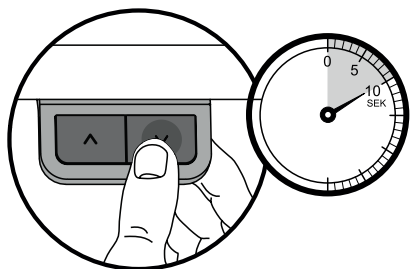
4



# Alfa Up Assembly Instructions

Duo

## Reset procedure



Lower the frame to its lowest position by pressing the down arrow on the hand control. Release the button. Press the button again and keep it pressed for 10 seconds, the reset is now carried out and the frame is ready to use.

