

Prime Chair



Ahrend 2020



Freedom/IQ



Ahrend 350



Omni



Office & Conference Chairs

90% of people have chairs they don't know
how to adjust. TECHO chairs are intuitive;
just sit down and the rest comes naturally.

Whatever the situation, TECHO's seating products will ensure that you sit in comfort and style. Seating is the only item of furniture in constant contact with the human body and if you provide your employees with comfortable and ergonomic seating, it will contribute to their job satisfaction and work productivity.



Prime Chair

Prime is the rising star of our seating portfolio – a high volume yet exclusive task chair that we are really rather proud of. It's a masterpiece of design and engineering – the only compromise was made by our accountants when agreeing the selling price.

It introduces management-level comfort, features and quality to the open plan office. We wanted to produce the best and most durable chair in its class and make it accessible to the majority of office workers.

And that is what we are offering, despite our long-faced accountants, a chair that makes life easy for both our clients and our salesmen.

Prime was designed by renowned and award winning Dutch designer Kees de Boer using high quality tried and tested components, and it complies with the most stringent European standards. The result is a great accomplishment that marries excellence in design and production engineering. All key components – such as the mechanism, gas lift, armrests and castors, are produced in Europe, and the chair is produced and assembled exclusively for TECHO at the state-of-the-art Ahrend facility in the Netherlands.



Despite its pedigree and quality, we wanted to break with tradition and price the Prime Chair at a level that should make it the standard option for the open plan office. And the competition had better look out because this young upstart also has what it takes to make it into the boardroom!

Above all this chair is ergonomic and comfortable enabling the user to concentrate on work. The chair then becomes an imperceptible part of the workplace environment. **Sit down and enjoy!**

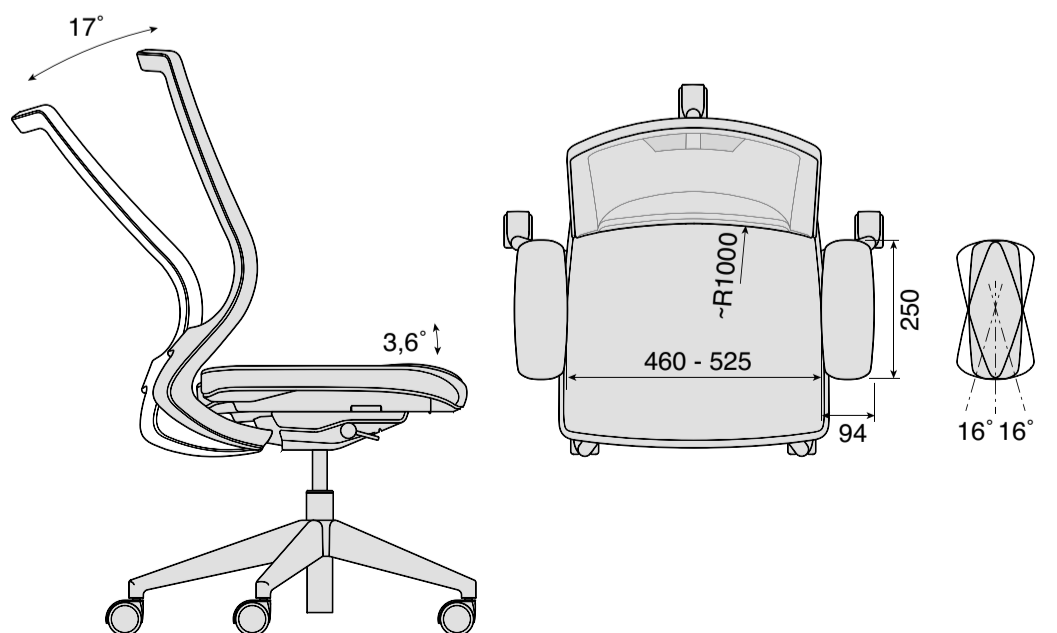
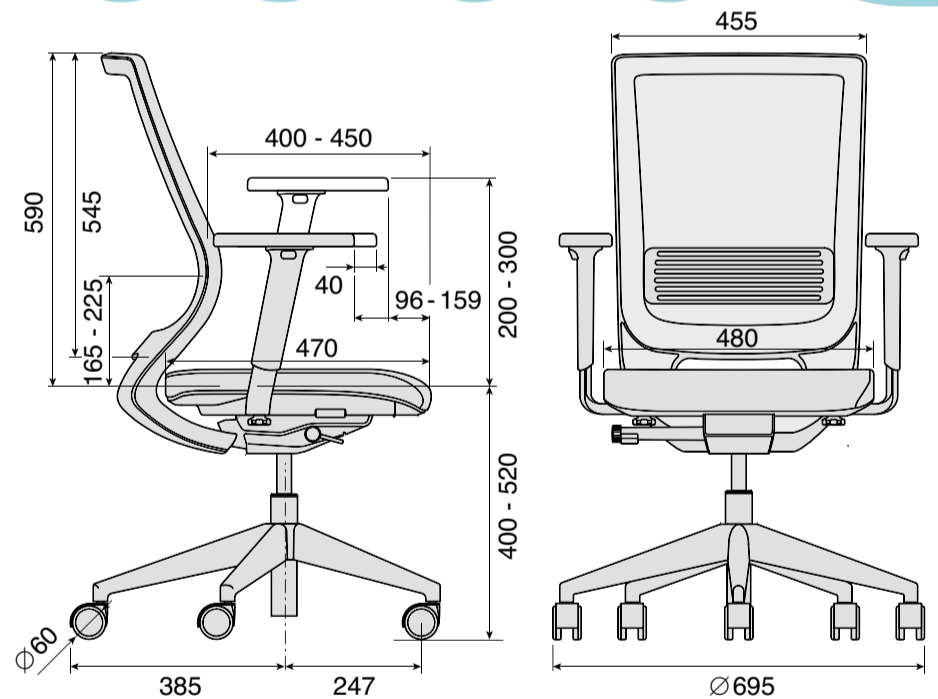
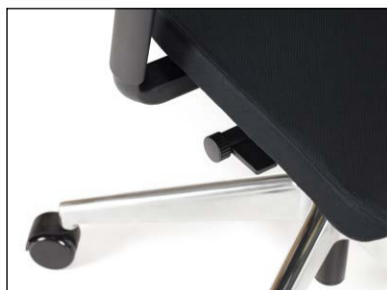




Prime



Available in black as standard.
Other colours and materials
available on request.



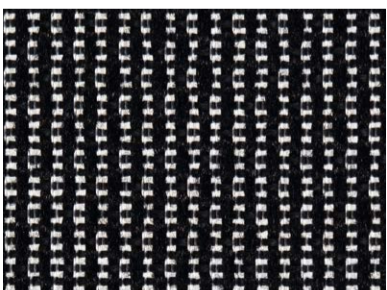


Chair



Design: Kees de Boer

Kees de Boer was born in 1969. After a course in automobile engineering at a technical secondary school from 1986 to 1990, he went on to study at the Academy for Industrial Design (now The Design Academy) in Eindhoven till 1996 where he chose the specialism Man & Work. During his time in Eindhoven, he spent a work experience period in the design department of Studio Villa, Paolo Villa Industrial Design, in Milan in 1995. He did his graduation project at Dona Consult in Tilburg. After completing his studies, he worked as an industrial designer for Duvedec International bv in Veldhoven in 1997. He has been employed as a designer by Ahrend Produktiebedrijf Zwanenburg bv since 1997.



Certificates
 EN 1335-2
 ISO 9001
 ISO 14001
 OHSAS 18001
 FSC STD 40-004
 Furniture Industry
 Sustainability
 Programme -
 Full Member



The term „20/20“ originates from optometry, where it is used as a perfect score in eye tests. If you are able to read the lines correctly from a distance of 20 feet, you meet the norm and you have 20/20 vision: ‚a clear vision‘. Designer Paul Brooks had ‚a clear vision‘ when he was invited by Ahrend to design the office chair of the future. The result is a chair with clear lines, in which the combination of transparent design and complete functionality is unique among international supply. The technology has been invisibly designed away, but can be operated blindly.

Good Industrial Design Award
Cradle to Cradle Silver

Ahrend



Available in black as standard.
Other colours and materials
available on request.



Features

- > Contemporary, slim and timeless Paul Brooks design
- > Recognisable Ahrend quality with a concealed operating mechanism and intuitive operation
- > Easily adjustable to suit anyone and any activity for the perfect personalised seat, using the unique Comfortslide and 3D armrests'
- > Complies with and easily exceeds all national and international ergonomic standards, such as the European EN-1335 standard and the Dutch NPR 1813 (second column)
- > Astonishingly comfortable, thanks to the patented synchro-mechanism, Solidseat and Comfortzones
- > All functions can be operated from a seated position using intuitively placed controls and clear pictograms. Concise instructions integrated into seat and seating instructions available online
- > Ahrend is the only producer of Cradle to Cradle (C2C) chairs in the Benelux region. Ahrend 2020 has been awarded a C2C certificate
- > All the materials used are completely recyclable, including the revolutionary recycling of foam parts

Design: Paul Brooks

Paul Brooks studied product and furniture design at Ravensbourne College of Design. He went on to take an MA in Industrial Design at the Royal College of Art in London. After graduating in 1983 he worked in London at the design studio of Robert Heritage CBE (Professor - School of Furniture RCA) working on a variety of furniture and lighting projects. Later at the studio of Steven Hall he designed lighting systems taken by Phillips and Lita (France) and products for Habitat (UK).

Certificates
 EN 1335-2
 ISO 9001
 ISO 14001
 OHSAS 18001
 FSC STD 40-004
 Furniture Industry
 Sustainability
 Programme -
 Full Member



Freeddo

“A really good furniture design arises only from correct understanding of the people who will use it. Only after we gain an understanding of human behaviour, can we see shapes and forms that we were not able to imagine before.”

Niels Diffrient



Available in black as standard.
Other colours and materials
available on request.



Design: **Niels Diffrient**

In his career as an industrial designer, which has now lasted over a half century, Diffrient has designed every type of equipment, as well as computers, exhibits, trucks, airplane interiors and corporate identity programs. In the field of furniture design, most notably ergonomic seating, Niels has won a total of 24 awards, including two Best of Show and 10 Gold and Top awards.

Diffrient holds more than 46 design and utility patents on furniture designs in America and abroad.



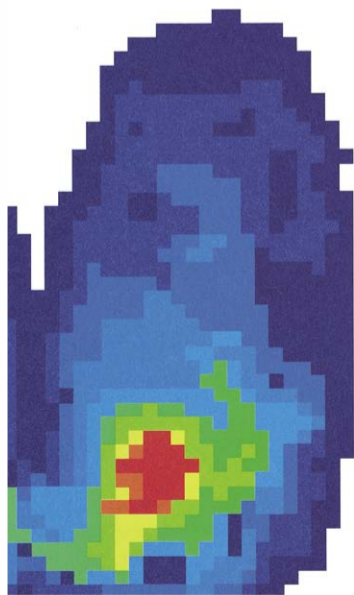
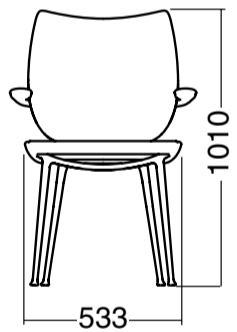
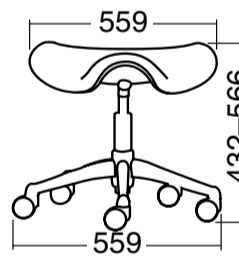
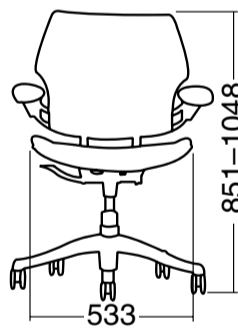
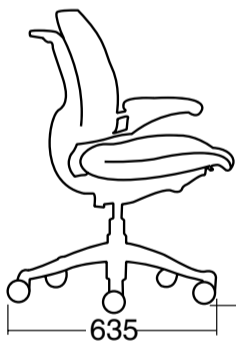
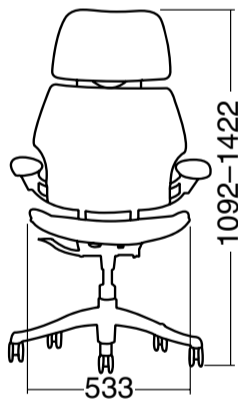
Freedom / IQ saddle

International Awards for the Freedom / IQ chair

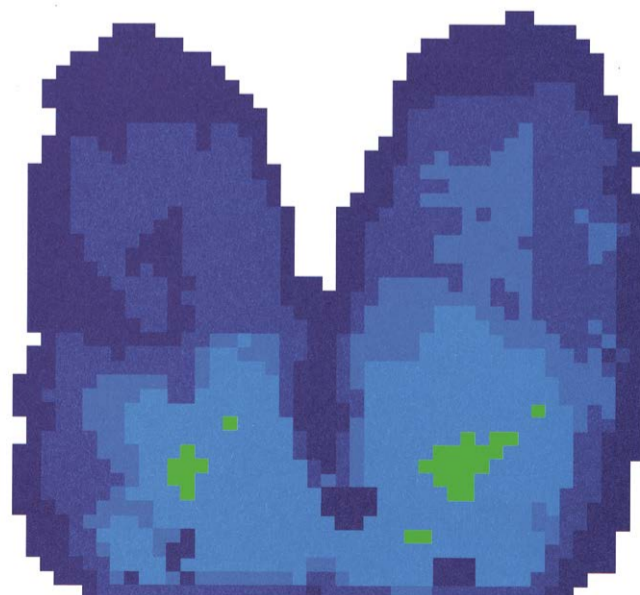
- The Best New Workplace Product 1999, UK
- Design Journal Award for Design Excellence, 1999, USA
- Innovations Awards - Citation of Excellence in Product Performance, Germany
- Design Award Winner 2000-01
- IIDEX Merit Award, Canada, 1999



m / IQ



of foam seat load



Temperature chart of gel seat load



ility of foam and gel seat cushions

re points that orientate during extended seating periods on a foam seat. In the case of the gel seat, 3 minutes the pressure load between the seat and user's body is 60% lower than for the foam seat under gel seat spreads the weight of the user thus decreasing the pressure conditions on the seat.

- Certificates**
- EN 1335-2
- ISO 9001
- ISO 14001
- OHSAS 18001
- FSC STD 40-004
- Furniture Industry Sustainability Programme - Full Member



reddot design award

With its special technology of leaf springs built into the seat and the back, Ahrend 350 makes it possible to move while sitting. This offers optimum comfort: the chair responds to every change of position, without having to adjust it. Ahrend 350 combines optimum seating comfort with a stylish, refined and striking design and can be used in office and conference environments. This chair owes its extraordinary image to its high-quality, contemporary and exclusive finish.

Ahrend

Design and comfort



Features

- > exclusive, modern design making use of high-quality materials
- > complete range with visitors' and conference chairs
- > comfortable, weight-independent movement mechanism
- > very easy operation



Certificates

EN 1335-2
ISO 9001
ISO 14001
OHSAS 18001
FSC STD 40-004
Furniture Industry
Sustainability
Programme -
Full Member

Available in black as standard.
Other colours and materials
available on request.



Design Sigurd Rothe

After leaving the Freien Waldorfschule (Free Waldorf School) in Stuttgart, Sigurd Rothe studied industrial design at the Fachhochschule für Gestaltung (Vocational High School for Design) in Schwäbisch Gmünd, graduating in 1975. He continued his studies in the USA and Canada in 1975 and 1976, and worked on a freelance or fulltime basis for various design studios and other design organisations in the period from 1970 to 1978.

All images for Sigurd Rothe Since setting up his own design studio in 1979, he carries out development and research projects and makes models and prototypes in various fields such as office furniture, medical and therapeutic equipment, test and measurement equipment, bank and retail systems, signposting systems, exhibitions and trade fairs. In all cases, his designs meet his own criterion that design quality must reflect meaningful integration into the larger system.

He has won various national and international awards for his work including the International Design Prize Baden-Württemberg (1988), Design Center Stuttgart (1988), the Industrieform Award (1988), 'best selection' office design award 2001 from Design Zentrum, the GOI (good industrial design) award 2001 and 2002 from Design Zentrum, the Dot 'best of the best' product design award 2002 from Design Zentrum Essen and a 'silver award: best of design' on 2005' Ch...



nd 350





Omni

Universal and strong – this is a lightweight and versatile chair that can be used both indoors and outdoors, from the meeting room to the garden party, a canteen to an outdoor concert. The material and minimalist design give this chair a universality that's hard to beat. Available in black or white the OMNI chair is fully stackable (up to 10 high), so can be kept conveniently in the wings when not in use. It is made from ABS and complies with applicable environmental regulations and policies. Its lightness of weight belies its strength – it will easily take the load of two people!

**We are stacking these chairs high,
so are ready to satisfy orders of any size.**

